



High-Power 3-Watt LED GU10-Style White Light Bulb

GMR16-5W-XIW-003S



Direct Drop-In Replacement in GMR16 Fixtures — Consumes Only 3.3 Watts — Up to 90% Power Savings

80 to 260VAC Voltage Range - 20 Degree Beam - 3000K Warm White - GU10.3 Base

FEATURES

- **Lamp Warranty:** 3 Years
- **Major Power Savings:** Consumes Only 3.3 Watts
- **Constant Light Output:** No Halation
- **Solid-State:** Fast Turn-On, No Power Surge
- Replaces 20 to 30-Watt Incandescent MR16/GU10 Bulbs
- **Long Life:** White LED Up to 50,000+ Hours
- **Emissions-Free:** No Ultraviolet, No Infrared
- **High Shock / Vibration Resistant,** Both Electrical and Mechanical
- **Easy Installation:** Using Existing MR16/GU10 Fixture
- **Sturdy Construction:** UV Stabilized Plastic Lens / Metal Body
- **Stays Cooler** than Standard Halogen MR16/GU10 Bulbs
- **Eco-Friendly:** ROHS Compliant
- **High CRI**



APPLICATIONS

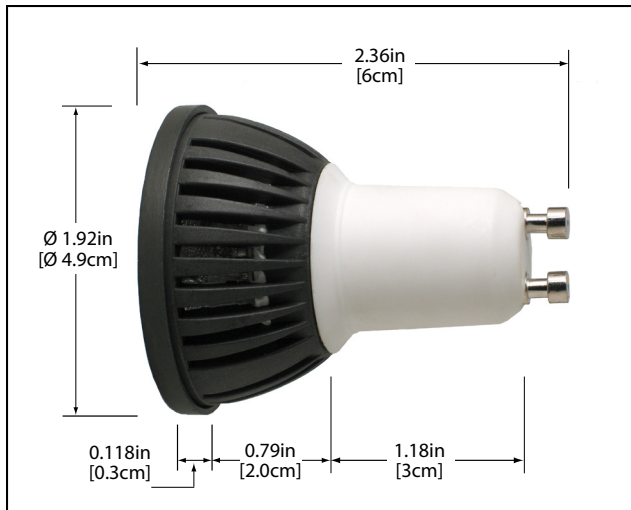
- Track lighting
- Spot lighting
- Display / cabinet lighting
- Architectural lighting
- Art Gallery and Museum



SPECIFICATIONS

SPECIFICATIONS SUBJECT TO CHANGE WITHOUT NOTICE

PART NO.	GMR16-5W-XIW-003S
Emitted Color	Warm White
Color Temperature	3000K
Color Rendering Index	85
Viewing Angle	20°±3°
Input Voltage	80-260VAC
Energy Used	3.3 Watts
Input Current	48mA
Total Lumens	123 lm
Max. Foot Candela	1,045 cd
Efficacy	40.9 lm/W
Weight	0.138 lb / 62.4g



NOTES

- ALL 12-VOLT AC/DC and 80-260 VAC BULBS ARE FOR USE WITH STANDARD ON/OFF SWITCHES ONLY.
- Use with any type of dimmer, relay or other current/voltage control circuit device will VOID WARRANTY.
- One-watt and 3-watt LED bulbs are very sensitive and subject to premature failure from electrical line noise spikes.

Ideal for use with Alternate / Renewable Energy Resources: Solar & Wind Power

LEDTRONICS, INC.®
THE FUTURE OF LIGHT

© 2011 LEDtronics, Inc.



23105 Kashiwa Court, Torrance, CA 90505
Phone: (800) 579.4875 / (310) 534.1505
Fax: (310) 534.1424
E-mail: webmaster@ledtronics.com
Website: <http://www.ledtronics.com>

www.LEDtronics.com

LOG #213 / Rev 08-2009

Check LEDTRONICS.COM for latest data. Prices and availability may be subject to change.

High-Power 3-Watt LED GU10-Style White Light Bulb

GMR16-5W-XIW-003S

Luminaire Photometric Report

Filename: GMR16-5W-XIW-003S

Manufacturer: LEDTRONICS

Luminaire: 120VAC, 3W

Luminaire Cat: GMR16-5W-XIW-003S

Lamp: . LUMEN RATING: 122.7 Lms.

Lamp Output: 1 lamp(s), rated lamp lumens: 122.7

Max Candela: 1,045.0 at Horizontal: 0, Vertical: 0

Luminous Opening: Point

Test: 6-20-08B

Flood Summary

	Efficiency	Lumens	Horizontal Spread	Vertical Spread
Field (10%):	80.8%	99.2	32	32
Beam (50%):	45.6%	56.0	17.6	17.6
Total:	100%	122.7		

Illuminance at a Distance

	Center Beam FC	Beam Width
1.7ft	376.20 fc	0.5ft
3.3ft	94.05 fc	1.0ft
5.0ft	41.80 fc	1.5ft
6.7ft	23.51 fc	2.1ft
8.3ft	15.05 fc	2.6ft
10.0ft	10.45 fc	3.1ft

■ Beam Spread: 17.6°

