



# High-Power 5-Watt LED GU10-Style Bulbs

GU10-6W-XxW-003M



Direct Drop-In Replacement in GU10.3 Fixtures — Consumes 4-5 Watts — Up to 90% Power Savings

100 to 260VAC Voltage Range – 30 Degree Medium Beam – Warm, Halogen or Pure White

## FEATURES

- **Lamp Warranty:** 3 Years
- **Major Power Savings:** Consumes Only 5 Watts or Less
- **Long Operational Life:** White LEDs Last Up to 50,000 Hours
- **Choice of Colors:** Warm or Pure White, or Halogen White
- **Easy Installation:** Directly Replaces 20- to 30-Watt Incandescent MR16/GU10 Bulbs
- **Wide Voltage Range:** 100 to 260VAC
- **Solid-State:** Fast Turn-On, No Power Surge
- **Even Lighting:** Constant Light Output – High Intensity / No Halation
- **Sturdy Construction:** UV-Stabilized Plastic Lens / Magnesium Alloy Body
- **High CRI** Enhances All Colors
- **Eco-Friendly:** RoHS Compliant



White LED technology is patent protected in the United States. LEDtronics white LED products are covered under these patents.

## APPLICATIONS

- Track lighting
- Spot lighting
- Display / cabinet lighting
- Architectural lighting
- Art Gallery and Museum



Ideal for Use with Alternate or Renewable Energy Resources – Solar & Wind Power

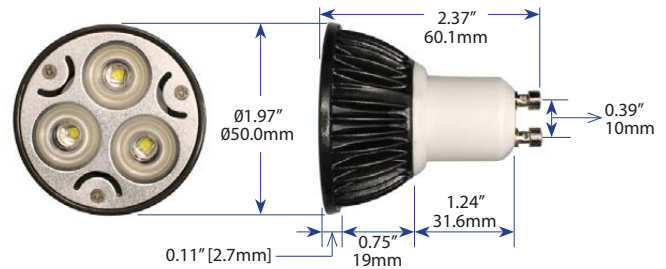
## SPECIFICATIONS

SPECIFICATIONS SUBJECT TO CHANGE WITHOUT NOTICE

<b>PART NO.</b>	GU10-6W-XxW-003M
<b>Viewing Angle</b>	30°±3° Medium Beam [Full Beam Width @ 50% Intensity]
<b>Input Voltage</b>	100 - 260VAC [Tested @ 120VAC]
<b>Ambient Operating Temp.</b>	~-22°F to ~+122°F (~-30°C to ~+50°C)
<b>Base</b>	GU10 Bi-Pin Bayonet Twist-Lock
<b>Dimensions</b>	L: 2.37" x W: Ø1.97" [60.1mm x 50.0mm]
<b>Weight</b>	XHW: 2 oz (56.7g) – XIW/XPW: 1.6 oz (45.6g)

## BENEFITS

- **Major Power Savings:** Up to 90% Compared to Incandescents
- **Solid-State Resiliency:** High Shock & Vibration Resistant (Both Electrical and Mechanical)
- **Stays Cooler** than Other 5W LED
- **GU10 Bulbs**
- **No Hazardous Materials:** No Mercury Content, No Lead
- **No Hazardous Emissions:** No UV or IR Radiation – No RF Interference



## NOTE

These models are for use with standard ON/OFF switches only, not with a dimmer. Use with any type of dimmer, relay or other current/voltage control circuit device will VOID WARRANTY.

PART NUMBER	INPUT CURRENT	ENERGY USED typical / max	EFFICACY	TOTAL LUMENS	MAXIMUM CANDELA	CRI	COLOR TEMPERATURE	EMITTED COLOR
GU10-6W-XHW-003M	0.055 A	4.0 / 5.2 Watts	35 lm/W	139 lm	315 cd	80	2700K - 2875K	Halogen White
GU10-6W-XIW-003M	0.064 A	5.2 / 5.2 Watts	31 lm/W	161 lm	444 cd	85	2800K-3250K	Warm White
GU10-6W-XPW-003M	0.061 A	5.0 / 5.2 Watts	35 lm/W	173 lm	553 cd	76	5500K - 6350K	Pure White

LEDTRONICS®  
Creating the Future of Light Since 1983™

© 2012 LEDtronics, Inc.



23105 Kashiwa Court, Torrance, CA 90505  
Phone: (800) 579.4875 / (310) 534.1505  
Fax: (310) 534.1424  
E-mail: webmaster@ledtronics.com  
Website: http://www.ledtronics.com

www.LEDtronics.com

LOG #252 / Rev 02-2012

Check LEDTRONICS.COM for latest data. Printed material may be outdated.

**GU10-XPW-003M**

**Luminaire Photometric Report**

Filename: **GU10-6W-XPW-003M**  
 Manufacturer: LEDTRONICS -  
 Luminaire: WITH LED LENS, 120VAC, 5W  
 Luminaire Cat: GU10-6W-XPW-003M  
 Lamp: LUMEN RATING: 147.7Lms.  
 Lamp Output: 1 lamp(s), rated lamp lumens: 173.3  
 Max Candela: 553.0 at Horizontal: 0, Vertical: 0  
 Luminous Opening: Point  
 Test: 5-7-09

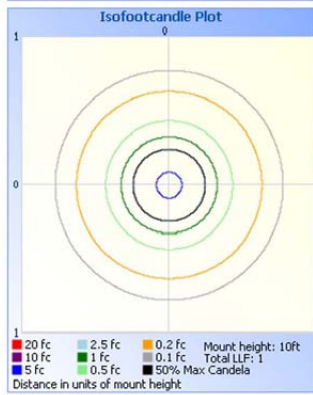
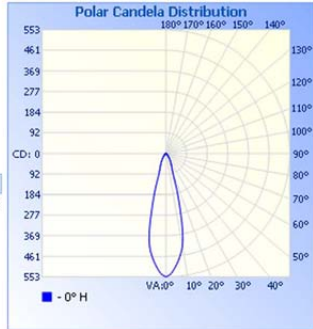
**Flood Summary**

	Efficiency	Lumens	Horizontal Spread	Vertical Spread
Field (10%):	71.1%	123.2	50.9	50.9
Beam (50%):	42.6%	73.8	27.8	27.8
Total:	100%	173.3		

**Illuminance at a Distance**

Center Beam FC	Beam Width
1.7ft	199.08 fc
3.3ft	49.77 fc
5.0ft	22.12 fc
6.7ft	12.44 fc
8.3ft	7.96 fc
10.0ft	5.53 fc

Beam Spread: 27.8°



**GU10-XIW-003M**

**Luminaire Photometric Report**

Filename: **GU10-6W-XIW-003M**  
 Manufacturer: LEDTRONICS -  
 Luminaire: WITH LED LENS, 120VAC, 5.2W  
 Luminaire Cat: GU10-6W-XIW-003M  
 Lamp: LUMEN RATING: 160.9Lms.  
 Lamp Output: 1 lamp(s), rated lamp lumens: 160.9  
 Max Candela: 444.0 at Horizontal: 0, Vertical: 0  
 Luminous Opening: Point  
 Test: 5-7-09

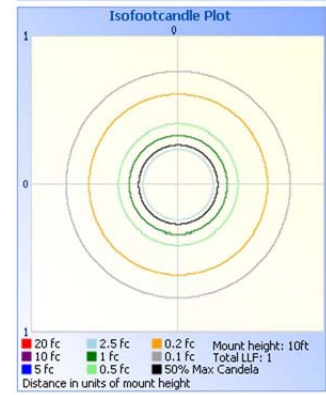
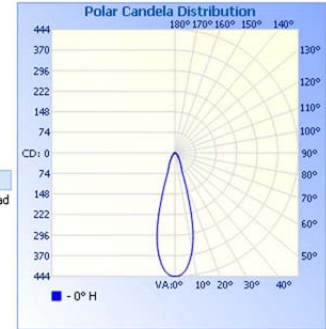
**Flood Summary**

	Efficiency	Lumens	Horizontal Spread	Vertical Spread
Field (10%):	71.4%	114.9	54.7	54.7
Beam (50%):	45.1%	72.5	30.2	30.2
Total:	100%	160.9		

**Illuminance at a Distance**

Center Beam FC	Beam Width
1.7ft	159.84 fc
3.3ft	39.96 fc
5.0ft	17.76 fc
6.7ft	9.99 fc
8.3ft	6.39 fc
10.0ft	4.44 fc

Beam Spread: 30.2°



**GU10-6W-XHW-003M**

**Luminaire Photometric Report**

Filename: **GU10-6W-XHW-003M**  
 Manufacturer: LEDTRONICS -  
 Luminaire: LED LENS, 120VAC, 4W  
 Luminaire Cat: GU10-6W-XHW-003M  
 Lamp: LUMEN RATING: 138.7Lms.  
 Lamp Output: 1 lamp(s), rated lamp lumens: 138.7  
 Max Candela: 315.0 at Horizontal: 0, Vertical: 0  
 Luminous Opening: Point  
 Test: 6-30-10

**Flood Summary**

	Efficiency	Lumens	Horizontal Spread	Vertical Spread
Field (10%):	79.3%	110.0	64	64
Beam (50%):	50.2%	69.7	34.4	34.4
Total:	100%	138.7		

**Illuminance at a Distance**

Center Beam FC	Beam Width
1.7ft	113.40 fc
3.3ft	28.35 fc
5.0ft	12.60 fc
6.7ft	7.09 fc
8.3ft	4.54 fc
10.0ft	3.15 fc

Beam Spread: 34.4°

