



LED 15W Dimmable PAR30 Light Bulbs

PAR30-15W-XxW-120AMD

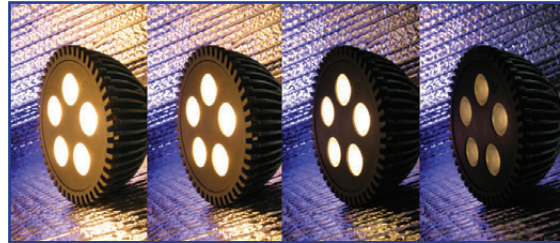
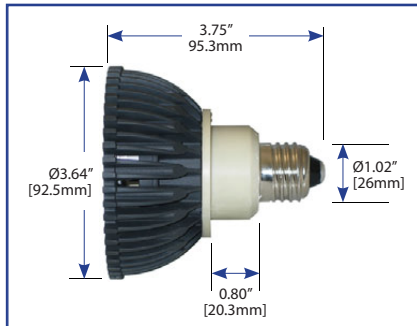


Consumes Only 15 Watts – Replaces Halogen Lamps Up to 66 Watts – Up to 85% Energy Savings

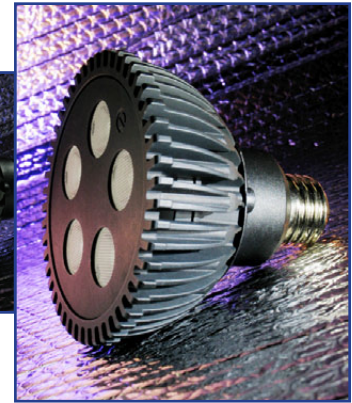
Warm White — Medium Beam — Direct Drop-In Replacement in PAR30 Fixtures — E26/E27 Screw-in Base

FEATURES

- **Lamp Warranty:** 3 Years
- **Low Power Consumption:** Maximum 15 Watts
- **Medium Beam Angle:** 40 - 45 Degrees
- **Long Operating Life:** White LEDs Last up to 50,000+ Hours of Continuous Use
- **Easy Installation/ Drop-In:** Designed as a Direct Retrofit into Most PAR30 Fixtures Using Existing 26mm Edison or E27 European Base Sockets
- **Brightness** Equivalent to Halogen and Metal Halide Bulbs up to 66 Watts
- **High Color Rendering Index** Enhances All Colors
- **Highest-Grade LEDs:** Uses White CREE Premium Lighting-Class LEDs
- **Sturdy Construction:** UV-Stabilized Plastic Lens Encapsulated around a Heat-Sinking Magnesium Alloy Housing
- **Eco-Friendly:** RoHS Compliant



DIMMABLE WITH AN EXTERNAL DIMMER



BENEFITS

- **Major Energy Savings:** Up to 85% Compared to Filament Bulbs
- **Solid-State:** Fast Turn On, No Power Surge
- **Dimmable:** Adjust the Light Intensity to Suit Your Setting with an External Dimmer
- **Rugged:** High-Shock & High-Vibration Resistant
- **Extended Life:** Maintenance-Free for over 5 Years
- **Emissions-Free:** No Harmful Infrared, No Ultraviolet Radiation
- **Reduces Light Pollution:** No Wasted Light, "Dark Skies Initiative"-Friendly
- **Even Lighting:** High Intensity / No Halation

Ideal for Use with Alternate or Renewable Energy Resources – Solar & Wind Power

APPLICATIONS

- Track Lighting, Accent Lighting
- Floodlight/Security Light/Emergency Light
- General/Architectural and Landscape Lighting
- Display-Case Fixtures and Cabinets
- Signage and Back Lighting
- Aviation/Aerospace Lighting Systems
- Industrial OEM Equipment Lighting
- Bio-Medical and Medical Applications
- Museums/Theatrical Effects Lighting

SPECIFICATIONS

SPECIFICATIONS SUBJECT TO CHANGE WITHOUT NOTICE

PART NO.	PAR30-15W-XxW-120AMD
Input Voltage	120VAC
Power Factor	0.93
Ambient Operating Temp.	~-22°F to ~+122°F [~-30°C to ~+50°C]
Ambient Humidity	90%
Lamp Shell	UV-Stab. PMMA / Magnesium Alloy Housing
Dimensions	L3.75" x DØ3.64" [95.3mm x Ø92.5mm]

PART NUMBER	ENERGY USED	INPUT CURRENT	TOTAL LUMENS	MAX. CANDELA	EFFICACY	COLOR TEMP.	VIEWING ANGLE*	CRI	WEIGHT
"Halogen" Warm White									
PAR30-15W-XHW-120AMD	12 Watts	107mA	375 lm	665 cd	31 lm/W	2800K	40° - 45°	80	9.4 oz
Warm White									
PAR30-15W-XIW-120AMD	13.4 Watts	120mA	426 lm	709 cd	32 lm/W	3200K	45°±3	85	10.2 oz

(*Full Beam Width @ 50% Intensity)

LEDTRONICS, INC.®
THE FUTURE OF LIGHT



23105 Kashiwa Court, Torrance, CA 90505
Phone: (800) 579.4875 / (310) 534.1505
Fax: (310) 534.1424
E-mail: webmaster@ledtronics.com
Website: http://www.ledtronics.com

PAR30-15W-XHW-120AMD

Luminaire Photometric Report

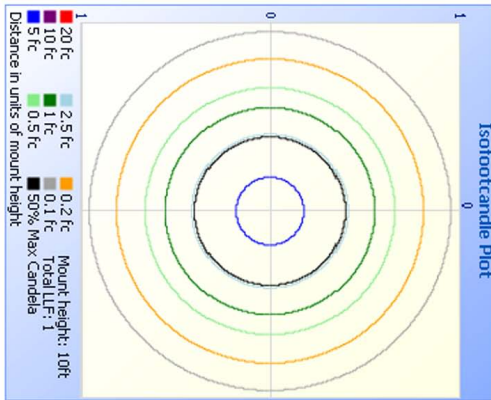
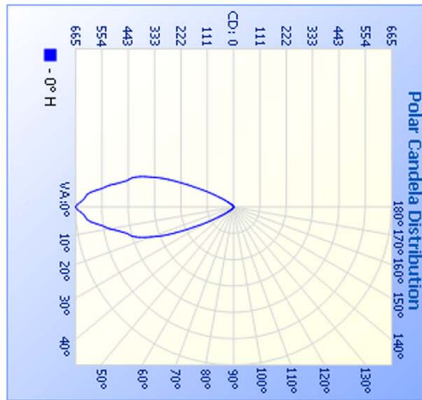
Filename: PAR30-15W-XHW-120AMD
 Manufacturer: LEDTRONICS -
 Luminaire: WITH LED LENS, 120VAC, 12W
 Luminaire Cat: PAR30-15W-XHW-120AMD
 Lamp: LUMEN RATING: 374 SLms.
 Lamp Output: 1 lamp(s), rated lamp lumens: 374.5
 Max Candela: 665.0 at Horizontal: 0, Vertical: 0
 Luminous Opening: Point
 Test: 7-10-09

Flood Summary

Efficiency/ Lumens Horizontal Spread Vertical Spread
 Field (10%): 86% 322.1 71.5 71.5
 Beam (50%): 54.2% 203.0 43 43
 Total: 100% 374.5

Illuminance at a Distance		
Center Beam Fc	Beam Width	
1.7ft	239.40 fc	1.3ft
3.3ft	59.85 fc	2.6ft
5.0ft	26.60 fc	3.9ft
6.7ft	14.96 fc	5.3ft
8.3ft	9.58 fc	6.6ft
10.0ft	6.55 fc	7.9ft

Beam Spread: 43.0°



PAR30-15W-XIW-120AMD

Luminaire Photometric Report

Filename: PAR30-15W-XIW-120AMD
 Manufacturer: LEDTRONICS -
 Luminaire: WITH LED LENS, 120VAC, 13.4W
 Luminaire Cat: PAR30-15W-XIW-120AMD
 Lamp: LUMEN RATING: 426.3lm.
 Lamp Output: 1 lamp(s), rated lamp lumens: 426.3
 Max Candela: 709.0 at Horizontal: 0, Vertical: 0
 Luminous Opening: Point
 Test: 5-7-09

Flood Summary

Efficiency/ Lumens Horizontal Spread Vertical Spread
 Field (10%): 87% 370.7 71.7 71.7
 Beam (50%): 58.6% 249.9 45.1 45.1
 Total: 100% 426.3

Illuminance at a Distance		
Center Beam Fc	Beam Width	
1.7ft	255.24 fc	1.4ft
3.3ft	63.81 fc	2.8ft
5.0ft	28.36 fc	4.1ft
6.7ft	15.95 fc	5.5ft
8.3ft	10.21 fc	6.9ft
10.0ft	7.09 fc	8.3ft

Beam Spread: 45.1°

