

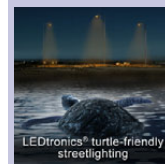


Consumes Only 30 Watts – Replaces 300-360 Watt HPS or Metal Halide Fixtures – Over 65% Energy Savings

Operates on 100-277VAC — Typical Mounting Height: 14-24 feet — Approved for Wildlife Lighting

FEATURES

- **Warranty:** 5 Years
- **Very Low Power Consumption:** Only 30 Watts
- **Wide Voltage Range:** 100-277VAC
- **Long Operational Life:** Orange LEDs (610nm) Last More than 100,000 Hours
- **Less Weight:** Weighs Only 24 lbs as Compared to 39-42 lbs Conventional Lighting
- **Optimized Circuitry:** Power Factor Corrected for Maximum Efficiency
- **Full Cutoff** with Spectral Output between 570nm and 750nm
- **Instant-On:** No Re-Strike Delay
- **Super Intensity:** 1,357 Candelas
- **Meets IP65 Requirements:** Totally Protected against Dust; Protected against Low-Pressure Jets of Water from All Directions. Limited Ingress Permitted.
- **Input Power Surge Protection:** Onboard 40kA Varistor
- **Solid-State:** High-Shock & High-Vibration-Resistant
- **Wide Ambient Operating Temperature Range:** ~-22°F to ~+122°F
- **Safety Assurance:** ETL Listed



Approved by Florida's F&WCC Wildlife Lighting Certification Program



APPLICATIONS

- For Use in Areas Where Artificial Lighting Is Needed Adjacent to Ecologically Sensitive Areas, Sea Turtle Nesting Beaches, Migratory Corridors and "Dark Sky"-Friendly Communities
- Lighted Walkway Bollards
- Building External Doorway Lighting
- Signage Illumination
- Streetlights and Parking Lot Illumination Visible from Beaches and Coastal Environments

SPECIFICATIONS

SPECIFICATIONS SUBJECT TO CHANGE WITHOUT NOTICE

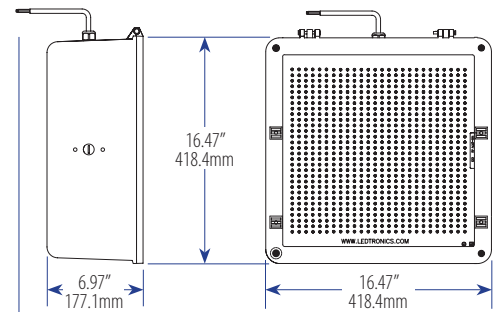
PART NO.	SLL003P-800-0U0-004
LED Emitted Color	Super Orange
Peak Emission Wavelength λ_p	612nm ($\lambda_d = 606nm$)
Beam Pattern	Type III (Asymmetric)
Field of View	V45° x H90° [Full Beam Width @ 50% Intensity]
Input Voltage	100-277 VAC [Tested @ 120VAC]
Input Current	257mA
Energy Used	30 Watts
Power Factor	0.97
Total Lumens	1,438 lm
Maximum Candela	1,357 cd @ Hor: 0, Ver: 7.5
Efficacy	48 lm/W
LED Cath. Temperature	45°C [113°F]
IP Code	IP65
Ambient Operating Temp.	~-22°F to ~+122°F (~-30°C to ~+50°C)
Dimensions	W16½in x H16½in x D7 in [41.8cm x 41.8 cm x 17.7 cm]
Weight	24 lbs [11 kg]

BENEFITS

- **Major Energy Savings:** Over 65% Compared to Incandescents
- **Low Maintenance:** Lowers Costs by Reducing Re-lamp Frequency
- **No Harmful Emissions:** No Ultraviolet, No Infrared – Does Not Attract Insects
- **Eco-Friendly:** No Mercury, No Lead Content
- **Reduces Light Pollution:** No Wasted Light, "Dark Skies Initiative"-Friendly
- **Enhances Vision:** Little or No Disability Glare as Compared with High Glare from HID Lamps

MATERIALS / CONSTRUCTION

- **Housing:** Die-cast aluminum housing and hinged front frame, ½" coin plugs for conduit and photocell, textured architectural bronze powdercoat finish over a chromate conversion coating
- **Lens:** Tempered flat clear glass lens
- **Fixture** is intended for indoor or outdoor use, and designed to protect against windblown dust, rain, splashing and direct hose "washdowns"



CUSTOM OPTIONS [For qualified applications & large-quantity OEM orders]

- Other Voltages Available: 12/14VDC Models for Solar- & Wind-Powered Applications
- Other LED Colors
- Narrow Beam or Wider Beam Angles
- Various Mounting Hardware Available

Turtle-Friendly Hi-Power LED, Variable-Mount Shoebox Luminaire

SLL003P-800-0UO-004

Luminaire Photometric Report

Filename: SLL003P-800-0UO-004

Manufacturer: LEDTRONICS -

Luminaire: WITH CLEAR LENS, 120VAC, 29.9W

Luminaire Cat: SLL003P-800-0UO-004

Lamp: . LUMEN RATING: 1438.3Lms.

Lamp Output: 1 lamp(s), rated lamp lumens: 1438.3

Max Candela: 1,357.0 at Horizontal: 0, Vertical: 7.5

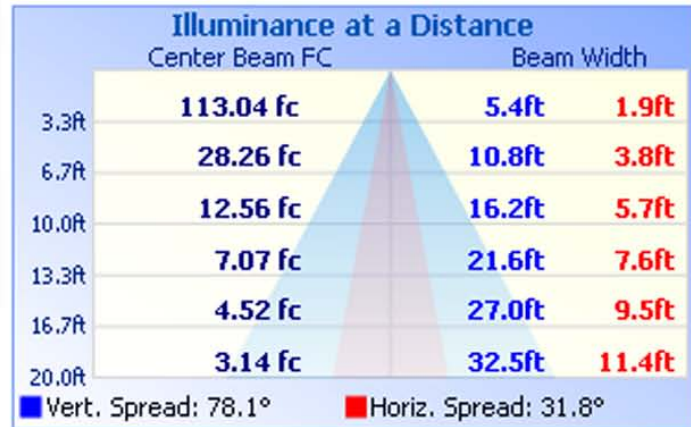
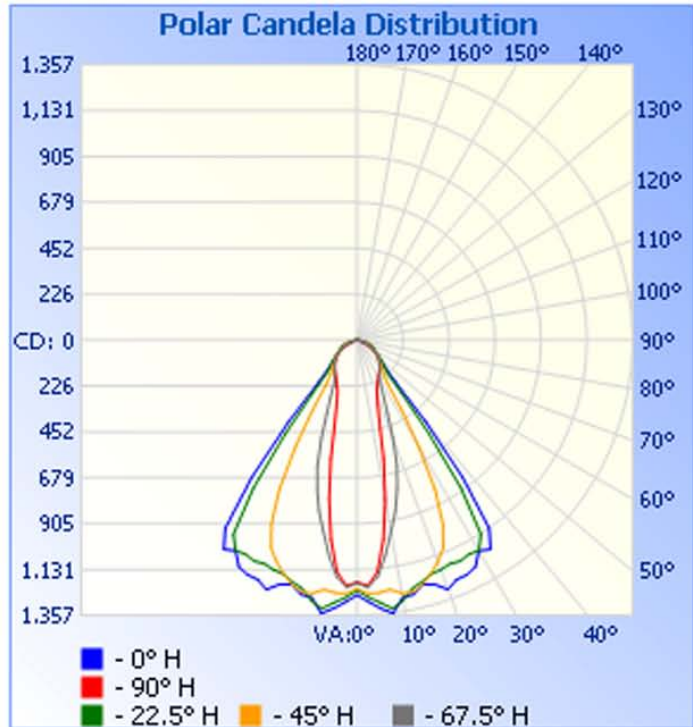
Luminous Opening: Point

Test: 10-6-09

Zonal Lumen Summary

Zone	Lumens	% Lamp	% Luminaire
0-30	772.6	53.7%	53.7%
0-40	1,075.2	74.8%	74.8%
0-60	1,320.9	91.8%	91.8%
60-90	117.5	8.2%	8.2%
0-90	1,438.3	100%	100%
0-180	1,438.3	100%	100%

Total Efficiency: 100%



Ideal for Use with Alternate or Renewable Energy Resources – Solar & Wind Power

ACCESSORIES

Varied mounting accessories available to direct the luminaire's light beam in the least environmentally intrusive direction.

Ask for Log No. 283