



Monocrystalline Cells — 5W, 10W, 25W, 50W and 100W Modules

Clean, Renewable Off-Grid Energy Power Source — Ideal for Use with LED Clusters & LED Light Bulbs

FEATURES

- **Product Warranty:** 2-Year Full Quality Warranty / 10-Year Limited Power Performance Warranty
- **Cell Type:** MonoCrystalline Silicon Photovoltaic
- **Encapsulation Method:** High-Transmission, Low-Iron Tempered Glass with Anodized Aluminum Frame Sealed with Silicone
- **Panel Construction:** High-Efficiency Design Minimizes Weight While Providing a Durable, Protective Environment for the Solar Cells
- **Weatherproof:** Front & Rear Surfaces and Junction Box Completely Sealed from Moisture with Silicone Sealant
- **Meets IP65 Requirements:** Totally Protected against Dust; Protected against Low-Pressure Jets of Water from All Directions.
- **Certifications:** ISO 9488 (Solar Energy - Pending), ISO 9001:2008, IEC 61730 (Module Safety - Pending)



BENEFITS

- **Major Energy Savings:** Reduces Dependence on the Main Electrical Grid
- **Extendable:** Multiple Panels Can Be Connected Together in an Array for Even More Power
- **Easy to Install** and Virtually Maintenance-Free
- **Investment:** Installing a Solar Panel System Can Increase a Home's Value
- **Choice:** A Selection of Sizes for Different Wattage and Voltage Requirements
- Clean, Green Energy from the Sun

APPLICATIONS

- Secondary Home Power System / Remote Power
- Electrical Power Back-Up System
- On-Grid Commercial / Industrial Rooftops
- Off-Grid Power System
- Marine & Boating
- Recreational Vehicle or Motor Homes / Cabins
- Battery Charging
- Pumps / Pool Heating
- Beacons / Satellite Dishes



Comes with Heavy-Duty, Corrosion-Resistant Screw Terminals

SPECIFICATIONS

SPECIFICATIONS SUBJECT TO CHANGE WITHOUT NOTICE

PART NUMBER	SLR-PNL-xxW-X01
Cell Type	Monocrystalline
Frame Material	Light-Anodized Aluminum Alloy
Front Cover	Low-Iron Tempered Glass

STANDARD TEST CONDITIONS

Irradiance Level: 1kW/m²
Air Mass (AM): 1.5
Cell Temperature: 25°C

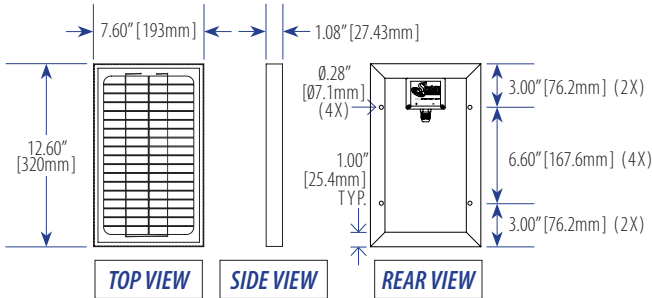
CUSTOM OPTIONS

- Other Wattages Available
- 24V Versions
- Available with Wire Leads

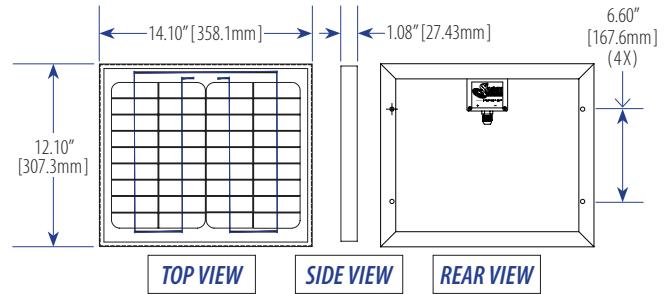
PART NUMBER	PEAK OUTPUT POWER (Pmax)	WORKING VOLTAGE (Vmax)	MAX. POWER CURRENT (Imax)	OPEN CIRCUIT VOLTAGE (Voc)	SHORT CIRCUIT CURRENT (Isc)	DIMENSIONS	WEIGHT (approx.)
SLR-PNL-5W-101	7.2 Watts	15.0V	0.48A	19.5V	0.52A	12.60" x 7.60" x 1.08" [320mm x 193mm x 27.4mm]	2.2 lbs [1.0 kg]
SLR-PNL-10W-101	12.6 Watts	15.0V	0.84A	20.5V	0.88A	14.10" x 12.10" x 1.08" [358.1mm x 307.3mm x 27.4mm]	3.52 lbs [1.6 kg]
SLR-PNL-25W-101	36.1 Watts	15.0V	2.40A	21.0V	2.50A	26.10" x 17.10" x 1.08" [662.9mm x 434.3mm x 27.4mm]	7.7 lbs [3.5 kg]
SLR-PNL-50W-101	69.0 Watts	15.0V	4.60A	21.5V	4.80A	31.10" x 26.10" x 1.08" [789.9mm x 663.0mm x 27.4mm]	12.76 lbs [5.8 kg]
SLR-PNL-100W-101	135.0 Watts	15.0V	9.00A	22.0V	9.20A	41.10" x 38.90" x 1.08" [1043.9mm x 988.1mm x 27.4mm]	24.53 lbs [11.15 kg]
SLR-PNL-100W-201	135.0 Watts	30.0V	4.50A	42.5V	4.70A	41.10" x 38.90" x 1.08" [1043.9mm x 988.1mm x 27.4mm]	24.53 lbs [11.15 kg]



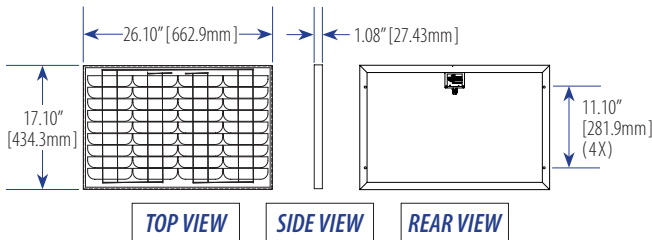
SLR-PNL-5W-101 — 5 Watts



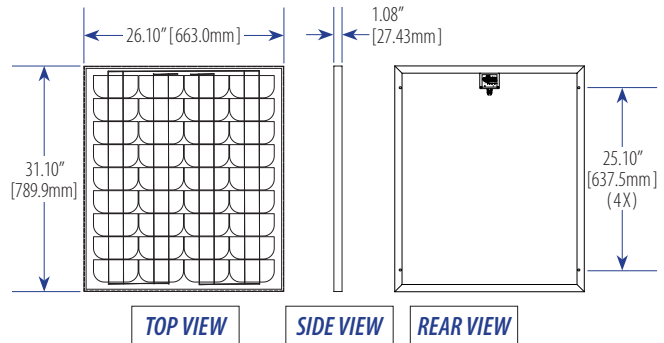
SLR-PNL-10W-101 — 10 Watts



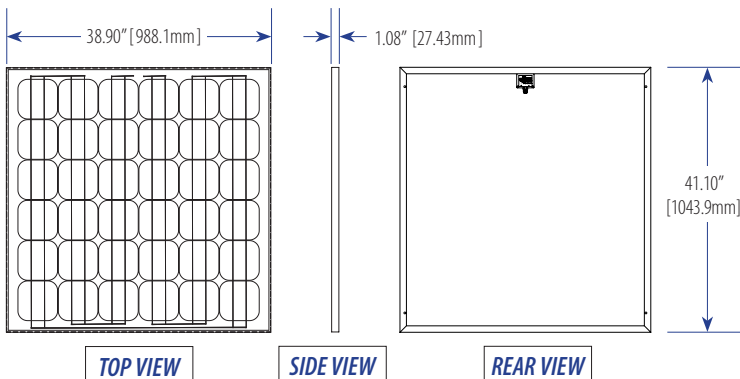
SLR-PNL-25W-101 — 25 Watts



SLR-PNL-50W-101 — 50 Watts



SLR-PNL-100W-101 — 12V / 100 Watts



SLR-PNL-100W-201 — 24V / 100 Watts

